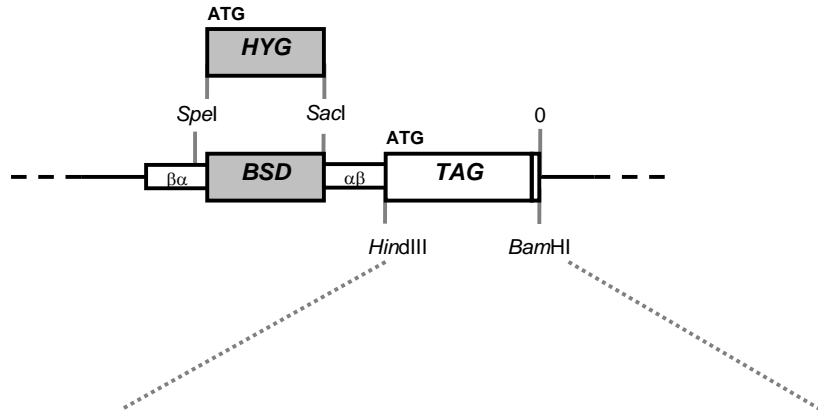


Native N-Terminal Tagging Plasmid: pNAT^{TAG}_X



Expression cassettes

GFP_X

AAGCTT ATG-GFP TCTAGA insert GGATCC
HindIII *XbaI* *BamHI*

6Myc_X

AAGCTTAATTA ATG TCTAGA 6Myc CCTAGG insert GGATCC
HindIII *PacI* *XbaI* *AvrII* *BamHI*