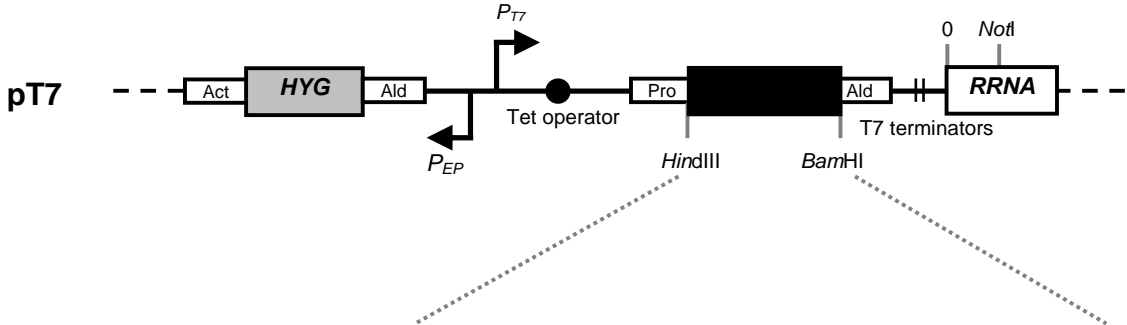


# Tagging Plasmid: pT7<sup>TAG</sup>



## Expression cassettes

GFP<sub>X</sub> / Myc<sub>X</sub>

AAGCTT ATG-GFP or Myc TCTAGA insert STOP GGATCC  
*HindIII* *XbaI* *BamHI*

## Promoter region

T7 promoter TAATACGACTCACTATAGGGAGATCTCC Tet operator CTATCAGTGATAG AGATCTAGCCCGGGCTGCACGCGCCTTCGAG Polypyrimidine tract TTTTTTTTCTTTTCCCATTTTTT  
TC AACTGAA ACTTCAATTACACCAAAAAGTAAAATTCACA AAGCTT -- Expression cassette  
 SA *HindIII*