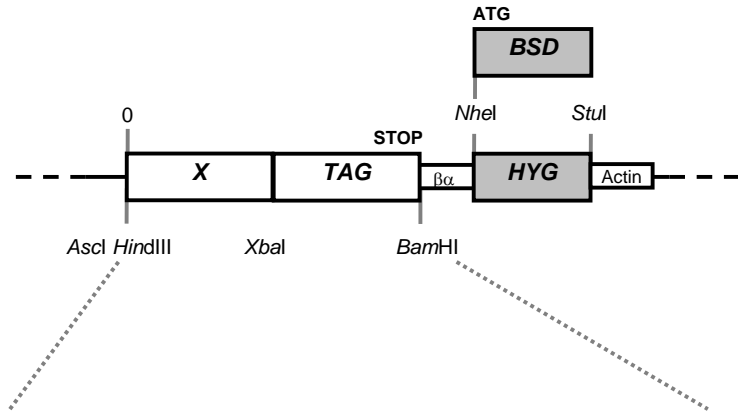


Native C-Terminal Tagging Plasmid: pNATx^{TAG}



Expression cassettes

X^{GFP}

GGCGCGCCAAGCTT **insert** TCTAGA **eGFP STOP** GGATCC
Ascl *HindIII* *XbaI* *BamHI*

X^{12Myc}

GGCGCGCCAAGCTT **insert** TCTAGA **12Myc STOP** GATCC
Ascl *HindIII* *XbaI* *BamHI*