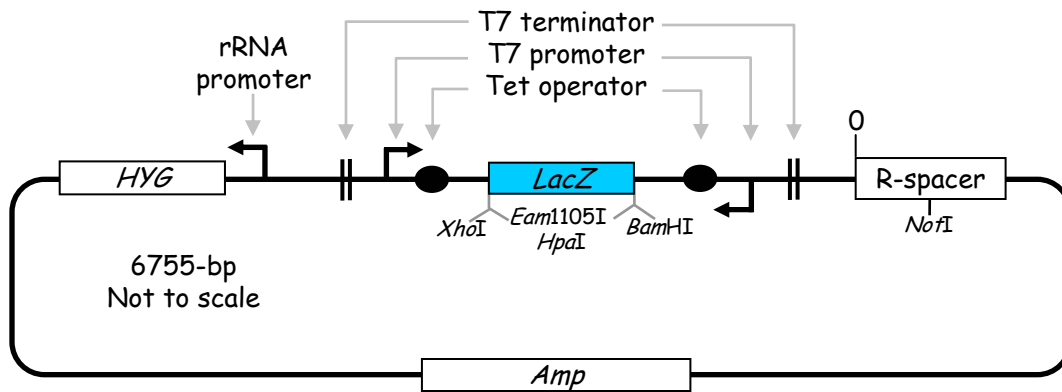


RNAi plasmid:

<http://homepages.lshrm.ac.uk/~ipmbdhor/dhhome.htm>

October 2005

p2T7^TAblue



Right-hand T7 promoter-associated sequence

6353
 5' TAATACGACTCACTATAGGGAGATCTCCCTATCAGTGATAGAGATCTAGCCGGTGGCGGCCGGCCGCTCTAGAAGTAGTGGATCCGTTAACGACCTT GCGTC 3'
 3' ATTATGCTGAGTGATATCCCTCTAGAGGGATAGTCACTATCTCTAGATCGGCCACC CGCCGGCGGAGATCTTGATCACCTAGGCAATTGCTGGA ACGCAG 5'

Sequencing primer
 5' CCGCTTAGAACTAGTGGA 3'

Eam1105I 6244

T7 promoter → Tet operator BamHI HpaI